



**Quality and Reliability, Since 1932!**

# SIGNAGE

## PUMP TOPPER

### **Application -**

Mounts to the top of the dispenser, advertising in store specials.

### **Part Number - 1997**

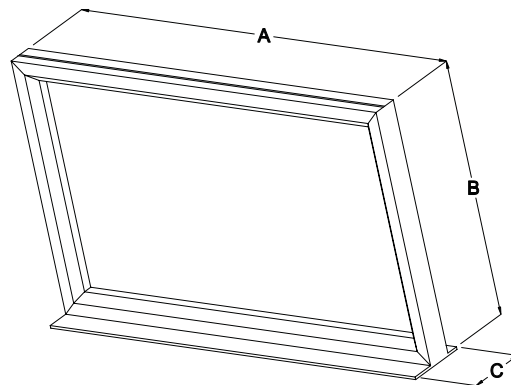


### **Features -**

- ✓ Standard size 12" x 20"
- ✓ Highlights your offers and specials
- ✓ Enhances your fueling sites
- ✓ Grabs attention and maximizes sales volume
- ✓ Standard color black
- ✓ Custom colors available
- ✓ Side loading inserts

### **Construction -**

- Painted aluminum frame
- Sign inserts available with custom graphics, messages and logos.
- Heavy duty mounting tape



Model	Weight (lbs.)	A	B	C
1997-1220	2.00	20-1/2"	12"	3-1/4"

Notice: Universal Valve Co., products must be used in compliance with applicable federal, state, and local laws and regulations. Product selection should be based on physical specifications and limitations and compatibility with the environment and material to be handled. Universal Valve Co., makes no warranty of fitness for a particular use. All illustrations and specifications in this literature are based on the latest production information available at the time of publication. Prices, materials, and specification are subject to change at any time, and models may be discontinued at any time, in either case, without notice or obligation.

### UNIVERSAL VALVE COMPANY

478 Schiller Street, Elizabeth, NJ 07206 • (800) 223-0741 • (908) 351-0606 • Fax: (908) 351-0369 • [universalvalve.com](http://universalvalve.com)

© 2009 Universal Valve Company, Inc.